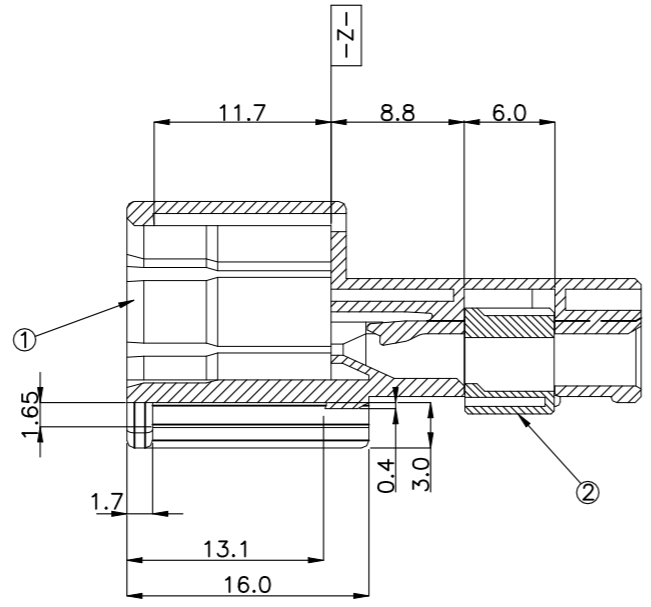
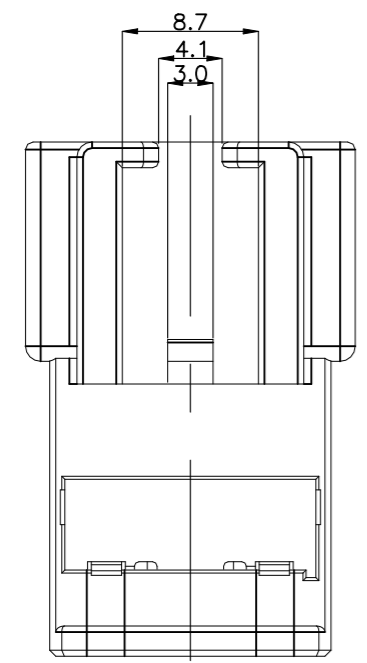
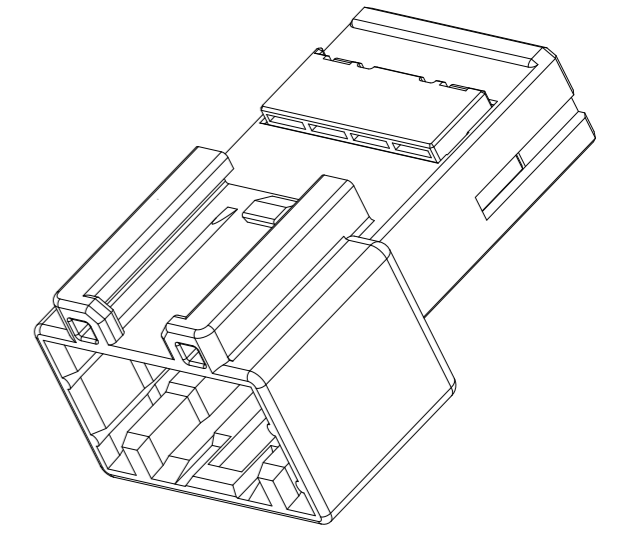
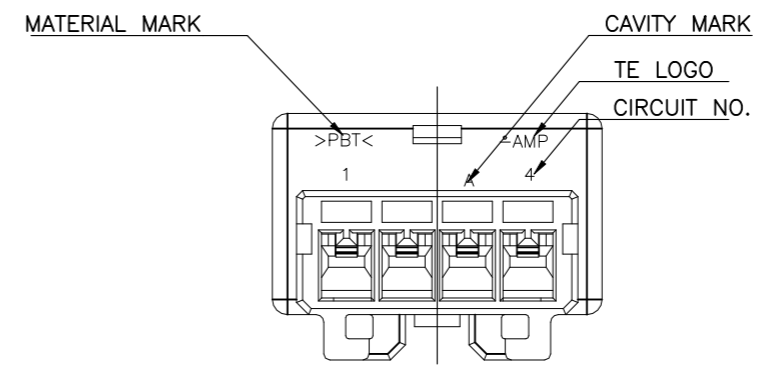
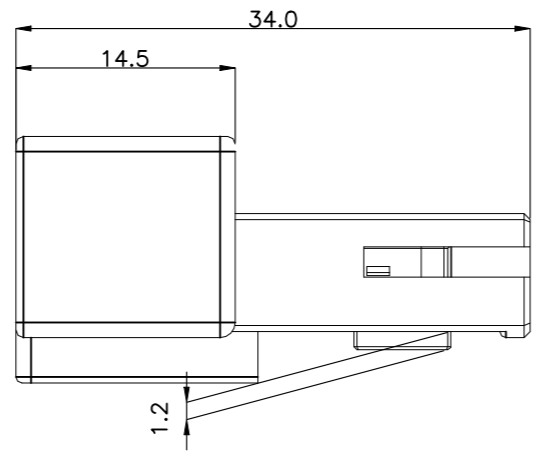
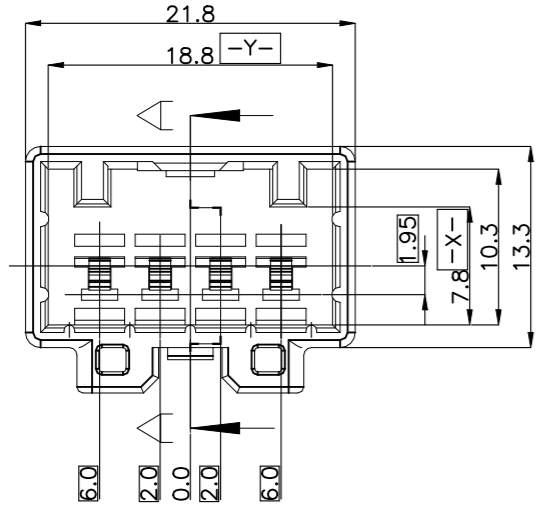


REVISIONS

| P | LTR | DESCRIPTION | DATE | DWN | APVD |
|----|-----|-------------------------|-----------|-----|------|
| B3 | | REVISED (ECR-23-172163) | 13APR2023 | HG | YJ |



NOTES.

- THE MATING HSG. P/N ; 936227
- APPLIED CONTACT P/N ; 090 II TAB.- 368086,368087,368088,1897752

-주기-

- 상대 하우징 P/N. ; 936227
- 적용단자 P/N. ; 090 II TAB.- 368086,368087,368088,1897752

TOLERANCES UNLESS OTHERWISE SPECIFIED:

0 <XXX<10 ± 0.2
 10<XXX<30 ± 0.25
 30<XXX ± 0.3
 ANGLES ± 3°

| NO | COLOR | MATERIAL | DESCRIPTION | P/N | QTY |
|----|---------|----------|-------------|------------|-----------------|
| 1 | BLUE | PBT | CAP | 0-936239-8 | 1 |
| | GREEN | PBT | CAP | 0-936239-7 | 1 |
| | RED | PBT | CAP | 0-936239-6 | 1 |
| | YELLOW | PBT | CAP | 0-936239-5 | 1 |
| | BROWN | PBT | CAP | 0-936239-4 | 1 |
| | D/GRAY | PBT | CAP | 0-936239-3 | 1 |
| | BLACK | PBT | CAP | 0-936239-2 | 1 |
| | NATURAL | PBT | CAP | 0-936239-1 | 1 |
| 2 | NATURAL | PBT | DBL | 0-936270-1 | 1 1 1 1 1 1 1 1 |

| ASSY P/N |
|------------|
| 0-936238-8 |
| 0-936238-7 |
| 0-936238-6 |
| 0-936238-5 |
| 0-936238-4 |
| 0-936238-3 |
| 0-936238-2 |
| 0-936238-1 |

SECTION A-A

THIS DRAWING IS A CONTROLLED DOCUMENT.

| | |
|-----------------------|---|
| DIMENSIONS: mm | TOLERANCES UNLESS OTHERWISE SPECIFIED: |
| | 0 PLC ± - 1 PLC ± - 2 PLC ± - 3 PLC ± - 4 PLC ± - ANGLES ± - |
| MATERIAL SEE TABLE | FINISH - |

| | | |
|------------------|---|---|
| DWN KT JUNG | - | TE Connectivity |
| CHK JW JUNG | - | |
| APVD HG CHO | - | |
| PRODUCT SPEC | - | |
| APPLICATION SPEC | - | 090III 4P CAP ASS'Y |
| WEIGHT | - | SIZE CAGE CODE DRAWING NO RESTRICTED TO |
| CUSTOMER DRAWING | | A3 00779 C-936238 |
| SCALE 2:1 | | SHEET 1 OF 1 REV B3 |